

erresse

V A L V E S

SEVERE SERVICE

INDUSTRIES

- Oil & gas
- Refinery
- Petrochemical
- Chemical
- Mining

MAIN MATERIALS CONFIGURATIONS

- **Body:** Cs, SS, SDSS, Nickel Alloy
- **Trim:** SS, SDSS, Nickel Alloy
- **Hardfacing:** TCC, CCC, Spray and fused

MAIN DESIGN CONDITIONS

- **Pressure:** 150# to 4500#
- **Temperature:** -46° C to 650° C

*Extremely
long service life
and less
maintenance*



HIGH PERFORMANCE VALVES EXTREME APPLICATIONS

erreesse
VALVES

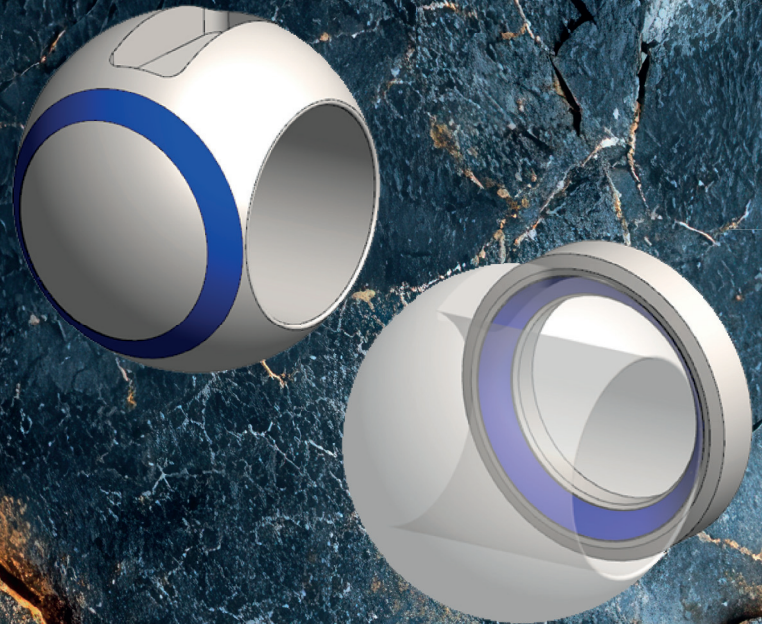
HIGH PRESSURE, HIGH TEMPERATURE, CORROSIVE AND SLURRY

FLOATING BALL VALVE

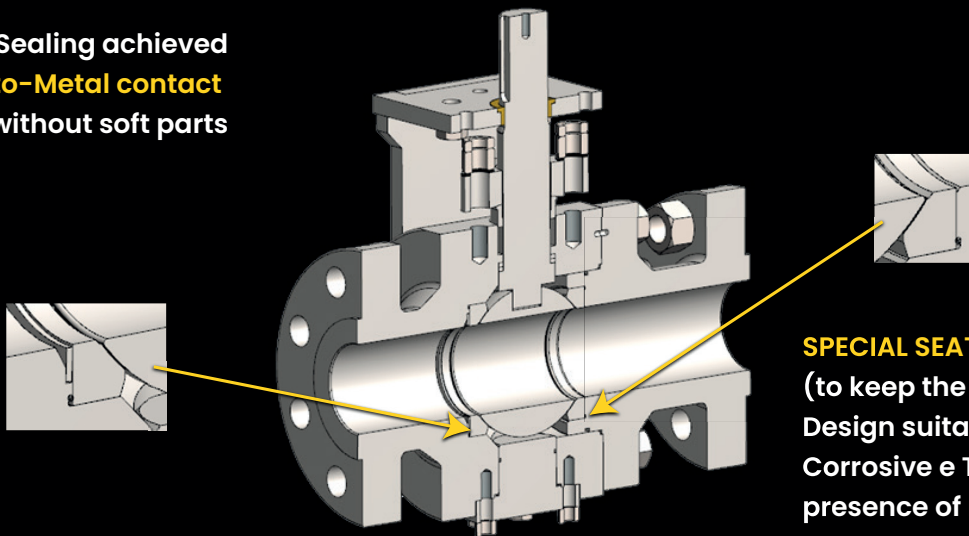
with SIMPLE DESIGN anti-accumulation,
(less components, less cavities)
to avoid slurry accumulation
and valve stuck. This means
LONGER service life.

SPECIAL SURFACE CONTACT

between Ball and Seats.
Spherical seats that follows the ball surface
and remove dirt during the opening
and closing phases of the valve.



Body – Seats Sealing achieved
by **Metal-to-Metal contact**
without soft parts



SPECIAL SEAT DESIGN

(to keep the ball valve clean)
Design suitable to handle very
Corrosive e Toxic compounds with
presence of metal slug particles



Via delle Betulle 8A / 8B / 8C
28075 Grignasco (NO), Italy



0039.0163.415941



0039.0163.415901



Sales – Erreesse Valves:
sales@erreesse-valves.com